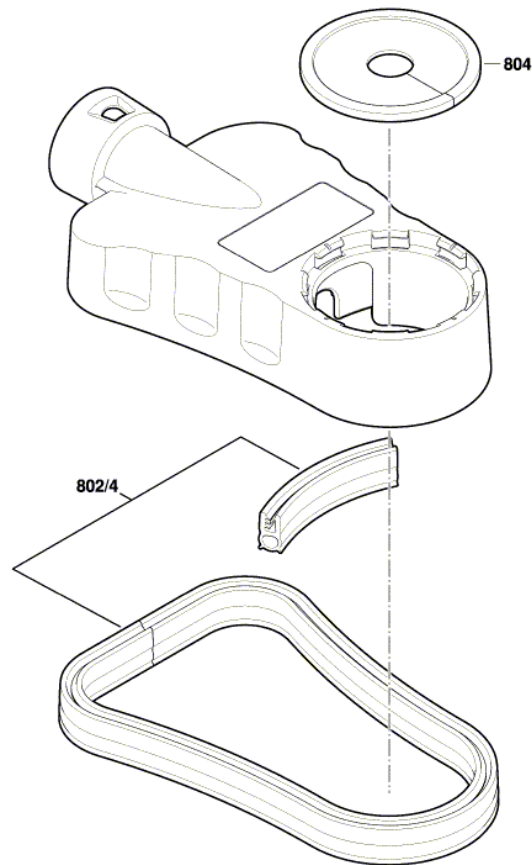




1 600 A00 1G7
Issue Stand) 13-11-07 Fig./Abb. 1



Modifications reserved
Änderungen vorbehalten
Modifications réservées
Salvo modificaciones



| Pos. | Part Number | Description | Pos. | Part Number | Description |
|-------|---------------|-----------------|------|-------------|-------------|
| 802/4 | 1 600 A00 1MJ | Sealing Profile | | | |
| 804 | 1 600 A00 1MK | Brush Bar | | | |